

Installation
Manual

PI-450/950
PIR Camera



GE Interlogix
Kalatel

© 2003 Kalatel, a GE Interlogix company

All Rights Reserved.

Any GE Interlogix, Kalatel division, software supplied with GE Interlogix, Kalatel division, products is proprietary and furnished under license and can be used or copied only in accordance with the terms of such license.

This document contains proprietary information that is protected by copyright. No part of this document may be reproduced or transmitted in any form or by any means without the prior written permission of GE Interlogix, Kalatel division.

The information contained in this document is subject to change without notice. GE Interlogix, Kalatel division, in keeping pace with technological advances, is a company of product innovation. Therefore, it is difficult to ensure that all information provided is entirely accurate and up-to-date. GE Interlogix, Kalatel division, accepts no responsibility for inaccuracies or omissions and specifically disclaims any liabilities, losses, or risks, personal or otherwise, incurred as a consequence, directly or indirectly, of the use or application of any of the contents of this document.

For the latest product specifications, visit GE Interlogix, Kalatel division, online at www.kalatel.com or contact your Kalatel sales representative.

For technical support before and after installation, call 800-469-1676.

Technical support is available 24 hours a day, 7 days a week.

Call:	Tech Support	800-469-1676 (6 A.M. – 5 P.M. PST Monday through Friday)
	Tech Support	541-740-3589 (all other times)
	Main	800-343-3358 or 541-754-9133
Fax:	Tech Support	541-752-9096 (available 24 hours a day)
	Main	541-754-7162
Web:	www.kalatel.com	

1036380B / February 2003

BEFORE YOU BEGIN

Read these instructions before installing or operating this product.

Note: This installation should be made by a qualified service person and should conform to local codes.

This manual provides installation and operation information. To use this document, you must have the following minimum qualifications:

- A basic knowledge of CCTV systems and components
- A basic knowledge of electrical wiring and low-voltage electrical hookups

Use this product only for the purpose for which it was designed.

Customer Support

For assistance in installing, operating, maintaining, and troubleshooting this product, refer to this document and any other documentation provided. If you still have questions, contact Kalatel Technical Support:

GE Interlogix, Kalatel division

Call: 800-469-1676

Fax: 541-752-9096

Note: You should be at the equipment, ready with details before calling Technical Support.

Conventions Used in this Manual

Boldface or button icons highlight command entries. The following **WARNING**, **CAUTION**, and **Note** statements identify potential hazards:



*** WARNING:**

Improper use of this equipment can cause severe bodily injury or equipment damage.



**** CAUTION:**

Improper use of this equipment can cause equipment damage.

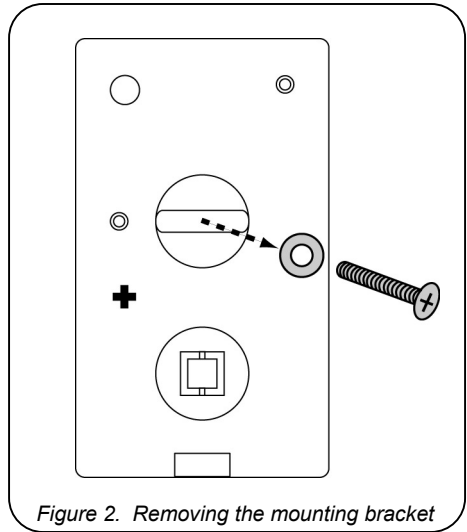
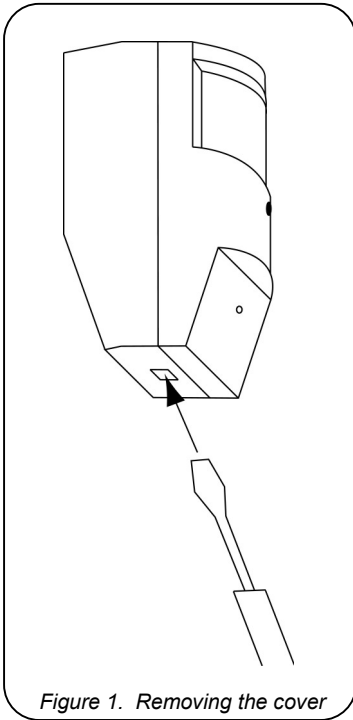
Note: Notes contain important information about a product or procedure.

* This symbol indicates electrical warnings and cautions.

** This symbol indicates general warnings and cautions.

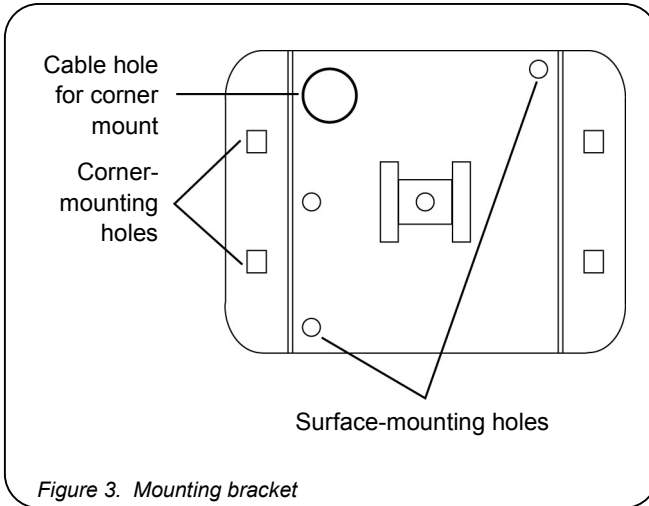
MOUNTING THE UNIT

- 1) Remove the cover (see Figure 1).
- 2) Unplug the cable.
- 3) Detach the wires by loosening the terminal screws.
- 4) Remove the mounting bracket by removing the screw and washer (see Figure 2).



Note: Mount the camera with a 3/8-inch (1 cm) clearance from the ceiling. For optimal PIR coverage using the standard lens, mount the PIR 7 feet (2 m) above the floor. You may have to compromise to get good PIR and camera coverage.

- 5) Mark the mounting holes on the mounting surface (see Figure 3).

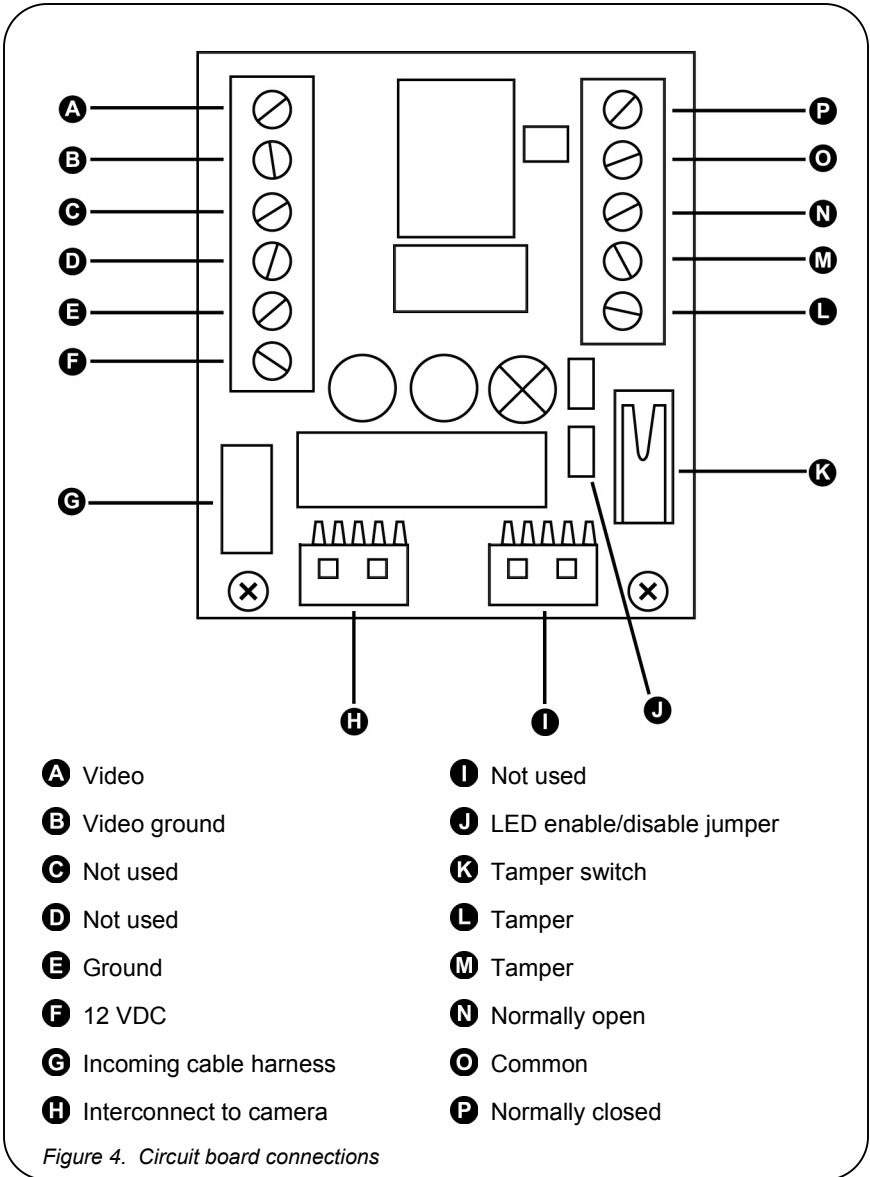


Note: The corner-mounting tabs can be removed for surface mounting.

- 6) Secure the mounting bracket to the mounting surface using the provided screws and raw plugs.

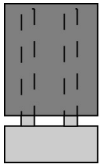
CONNECTIONS

See Figure 4.

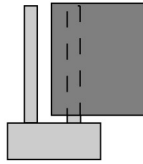


Note: Connections can be made using the supplied cable harness (**G**) or the six-pin terminal strip (**A** – **F**).

LED ENABLE/DISABLE JUMPER



Enabled



Disabled

HIGH DENSITY LENS

Figure 5 shows the pattern produced when the PIR is mounted flat against the wall at a height of 7 feet (2 m). The pattern will vary when the PIR is angled to get the best camera view.

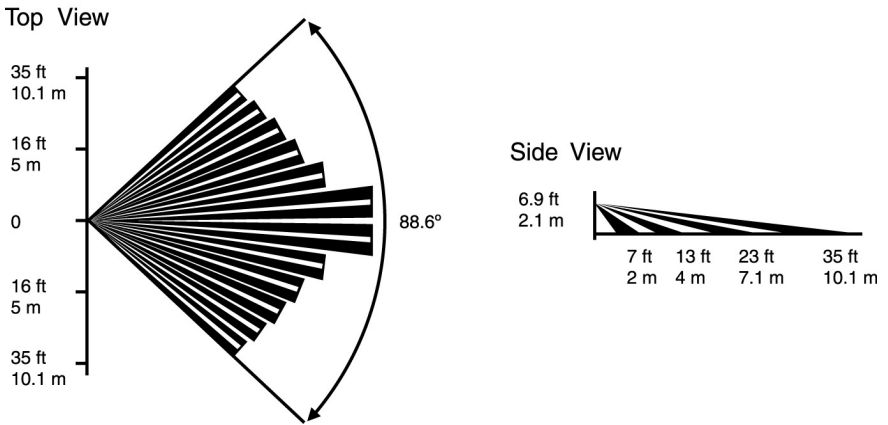
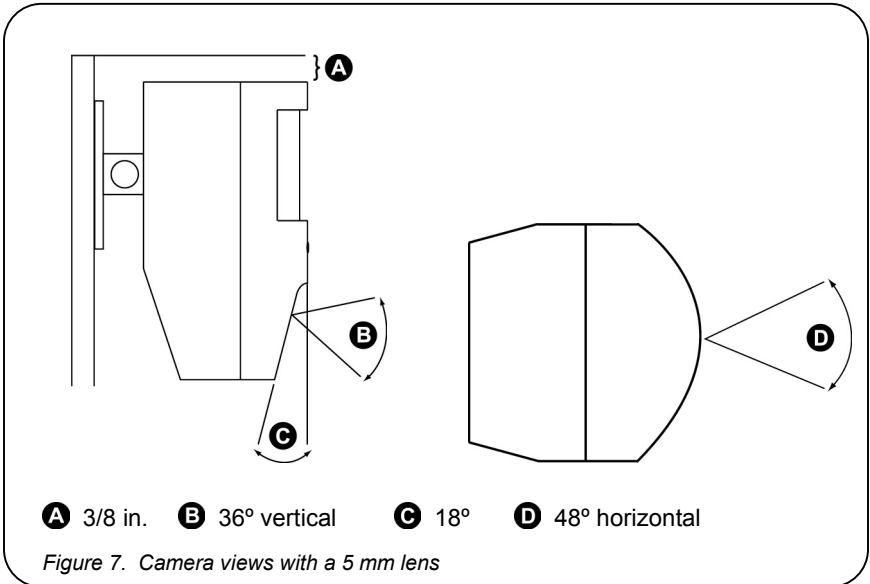
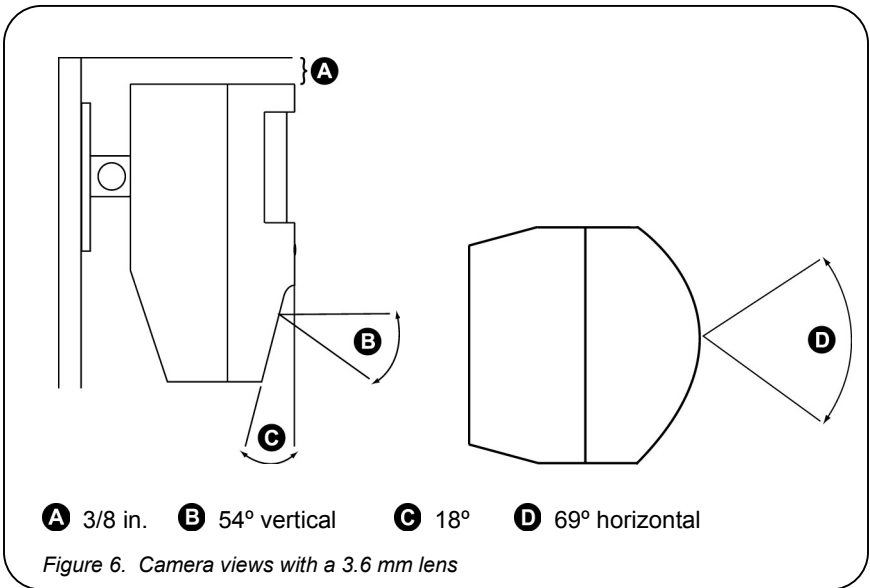


Figure 5. Pattern produced when the PIR is mounted flat at 7 feet (2 m)

CAMERA VIEWS



PIR SPECIFICATIONS

Electrical	
Voltage	12 VDC
Current	14 mA typical 20 mA max
Maximum loop rating	16 VDC, 50 mA
Alarm output	Failsafe contacts-form C N/C N/O
Alarm duration	3.2 sec (\pm 0.5 sec)
Cover tamper contacts	N/C

Environmental	
Operating temperatures	14 °F to 122 °F (-10 °C to 50 °C)
Humidity	5% to 95% noncondensing
RFI immunity	>10 V/m from 10 to 1,000 MHz
Static immunity	20 kV
Lighting immunity	2.4 kV, 1.2 J max energy impulse, 100 microsecond duration on field wiring

Features	
High density lens	35 ft x 90 ft
Mounting	Wall or corner
Color	White

CAMERA SPECIFICATIONS

	PI-450	PI-950
Image sensor	1/3-in. interline transfer CCD	1/3-in. interline transfer CCD
Lens options	3.6-mm pinhole standard 5-mm pinhole option	3.6-mm pinhole standard 5-mm pinhole option
Scanning system	2:1 interlace, EIA 525 lines/ 60 fields option: CCIR 625/50	2:1 interlace, NTSC 525 lines / 60 fields option: PAL 625/50
Sync system	Internal	Internal
Resolution	425 TV lines	380 TV lines
Sensitivity	0.3 lux @ f1.2	3 lux @ f1.2
AGC	Max 30 dB	Max 30 dB
S/N ratio	48 dB	48 dB
Electronic shutter	1/60 – 1/100,000 sec	1/60 – 1/100,000 sec
BLC	On (under AES), center weighted	On (under AES), center weighted
Video output	Composite 1 V pk-pk at 75 Ω	Composite 1 V pk-pk at 75 Ω
Operating temperature	0 °F – 140 °F (-18 °C – 60 °C)	0 °F – 140 °F (-18 °C – 60 °C)
Power source	12 VDC	12 VDC
Power consumption	95 mA	120 mA
Weight	1 oz (28 g)	2 oz (60 g)
Size	32 mm x 32 mm	42 mm x 42 mm

